

7. Parts Catalog

How to use this parts catalog

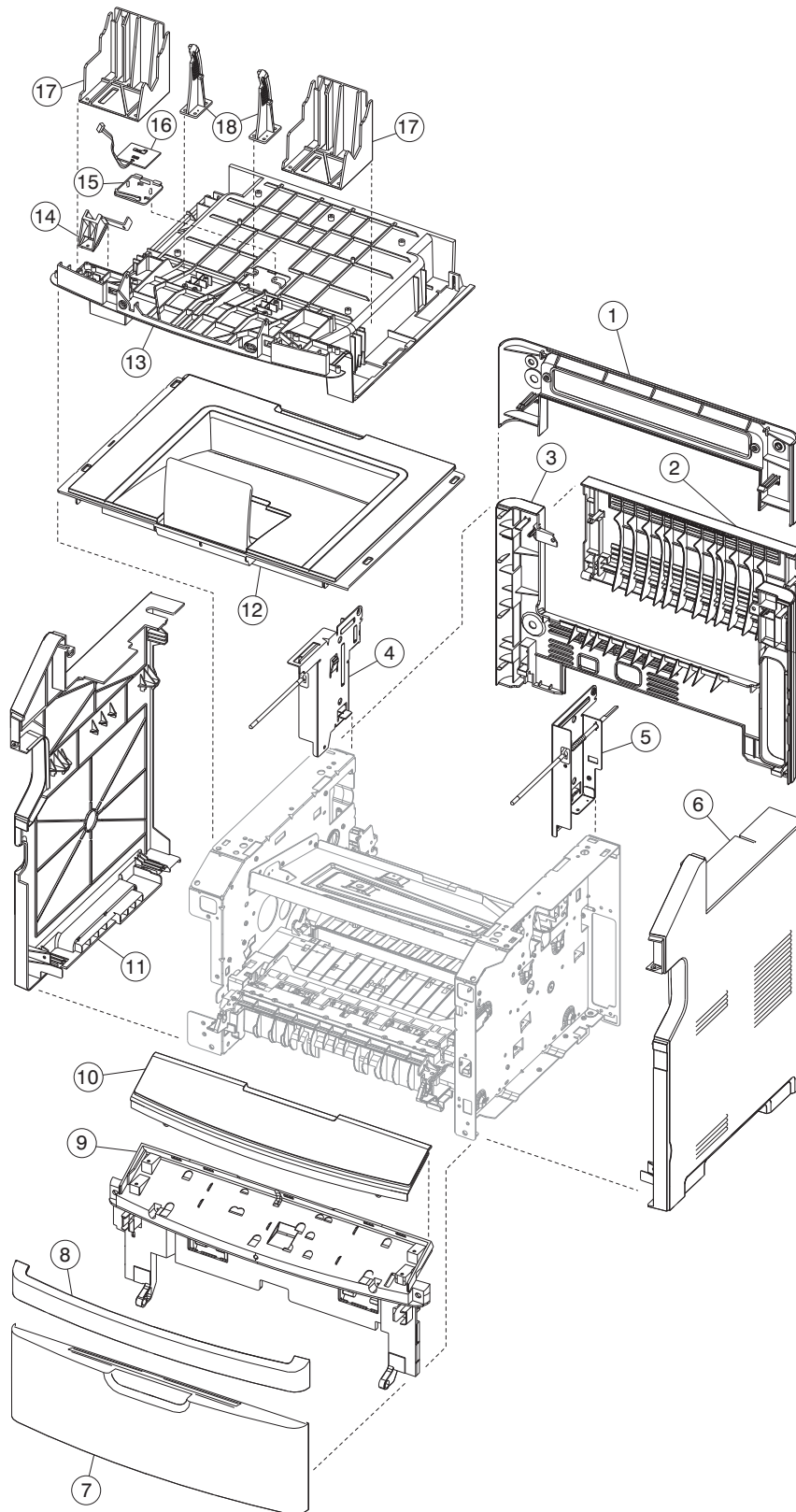
The following legend is used in the parts catalog:

Asm-Index	Part number	Units/mach	Units/FRU	Description
-----------	-------------	------------	-----------	-------------

- **Asm-index:** identifies the assembly and the item in the diagram. For example, 3-1 indicates assembly 3 and the item number 1.
- **Part number:** identifies the unique number that identifies this FRU.
- **Units/mach:** refers to the number of units actually used in the machine or product.
- **Units/FRU:** refers to the number of units packaged together and identified by the part number.
- **NS:** (Not shown) in the Asm-Index column indicates that the part is procurable but is not pictured in the illustration.
- **PP:** (Parts Packet) in the parts description column indicates the part is contained in a parts packet.
- Model information used in the parts catalog.

Machine type and model	Description
7014-431	Lexmark X463de
7014-636	Lexmark X464de
7014-637	Lexmark X466de and X466dte
7014-63w	Lexmark X466dwe

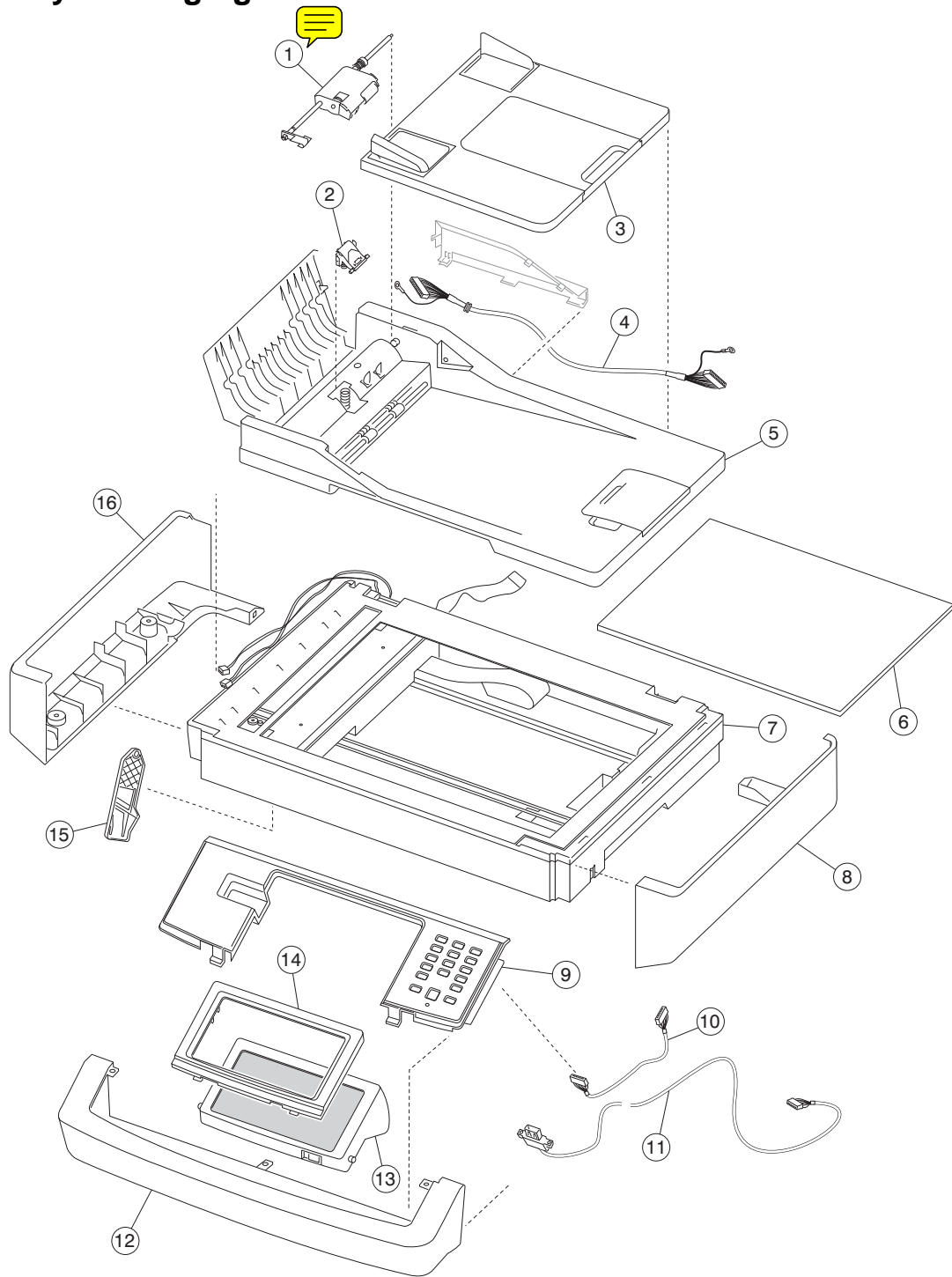
Assembly 1: Covers



Assembly 1: Covers

Asm-Index	Part number	Units/mach	Units/FRU	Description
1-1	40X5827	1	1	Mid rear cover
2	40X5839	1	1	Rear door
3	40X5838	1	1	Rear cover
4	40X5820	1	1	Rear left frame assembly
5	40X5821	1	1	Rear right frame assembly
6	40X5822	1	1	Right side cover
7	40X5379	1	1	Front door cover
8	40X5359	1	1	Nameplate cover
9	40X5806	1	1	Lower AIO access assembly
10	40X5778	1	1	Front access door cover
11	40X5823	1	1	Left side cover
12	40X5614	1	1	Top cover assembly
13	40X5811	1	1	Tub cover assembly
14	40X5809	1	1	USB cable mount bracket
15	40X5834	1	1	Output bin LED lens
16	40X5835	1	1	Output bin LED
17	40X5815	2	1	Op panel support
18	40X5814	2	1	Display rotation support
NS	40X5381	1	1	Primary tray

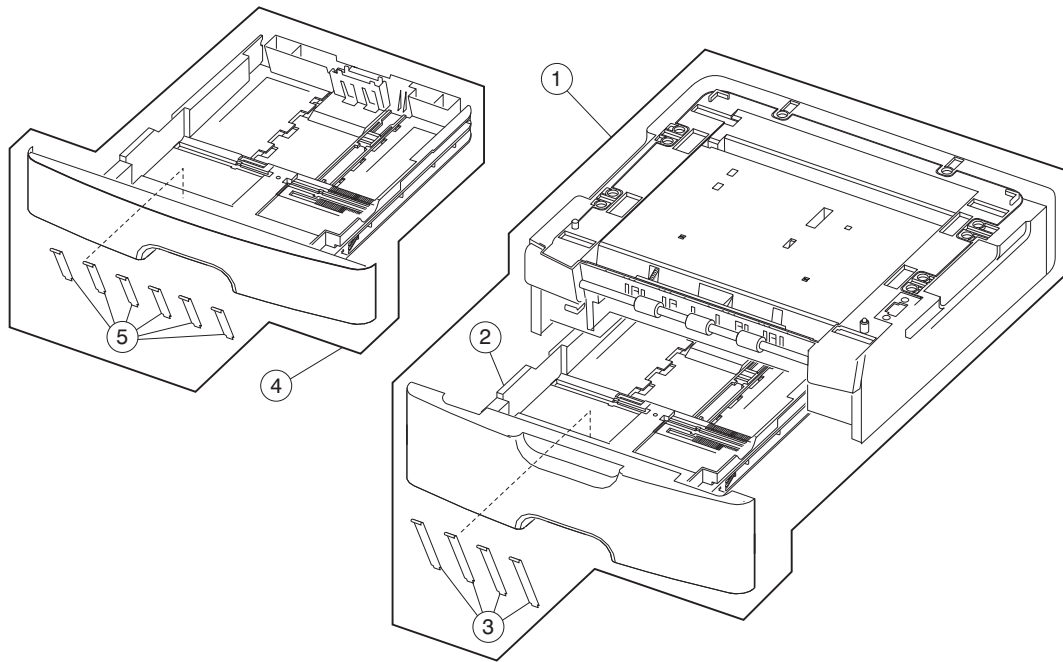
Assembly 2: Imaging



Assembly 2: Imaging

Asm-Index	Part number	Units/mach	Units/FRU	Description
1	40X7545	1	1	ADF Separator roll
2	40X5472	1	1	ADF Separator pad
3	40X5470	1	1	ADF input tray
4	40X5540	1	1	ADF cable
5	40X5824	1	1	Duplex ADF unit
6	40X5804	1	1	Flatbed cushion
7	40X5825	1	1	Flatbed module
8	40X5818	1	1	Right scanner cover
9	40X5836	1	1	Operator panel button assembly
10	40X5810	1	1	UICC Cable (Operator panel cable)
11	40X5831	1	1	Operator panel USB cable
12	40X5826	1	1	Scanner front cover
13	40X5837	1	1	Op panel display
14	40X0399	1	1	Op panel display bezel X463
14	40X0400	1	1	Op panel display bezel X464
14	40X0401	1	1	Op panel display bezel X466
15	40X5813	1	1	Kickstand support
16	40X5819	1	1	Left scanner cover
NS	40X5807	1	1	ADF maintenance kit
NS	40X7546	1	1	ADF hinge, right
NS	40X7547	1	1	ADF hinge, left

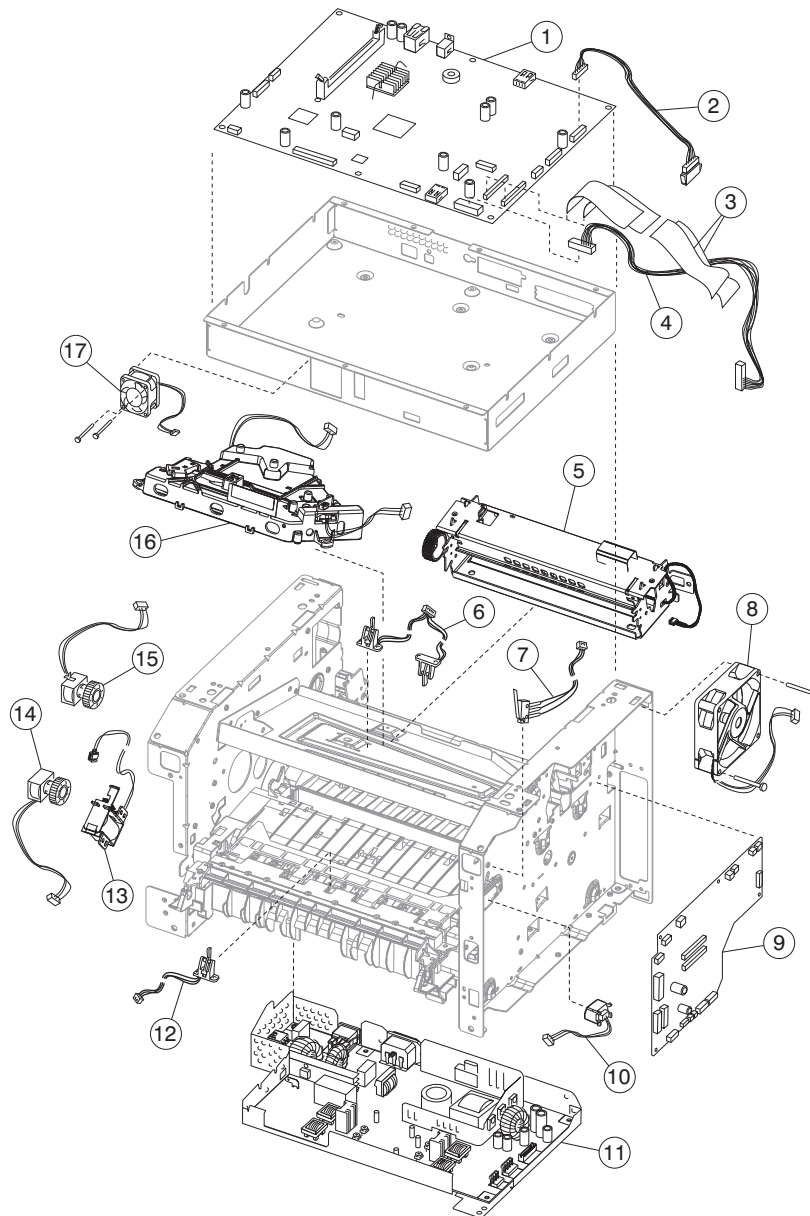
Assembly 3: Tray assemblies



Assembly 3: Tray assemblies

Asm-Index	Part number	Units/mach	Units/FRU	Description
3-1	40X5398	1	1	Optional 250-sheet tray (new asm)
1	40X5399	1	1	Optional 550-sheet tray(new asm)
2	40X5394	1	1	250-sheet (Tray 2) assembly (new asm)
2	40X5395	1	1	550-sheet (Tray 2) assembly (new asm)
3	40X2855	1	4	Tray 2 wear strips (550-sheet tray only) (new asm)
4	40X5381	1	1	Primary tray
5	40X5382	1	6	Wear strips (250-sheet trays, optional and primary) (new asm)

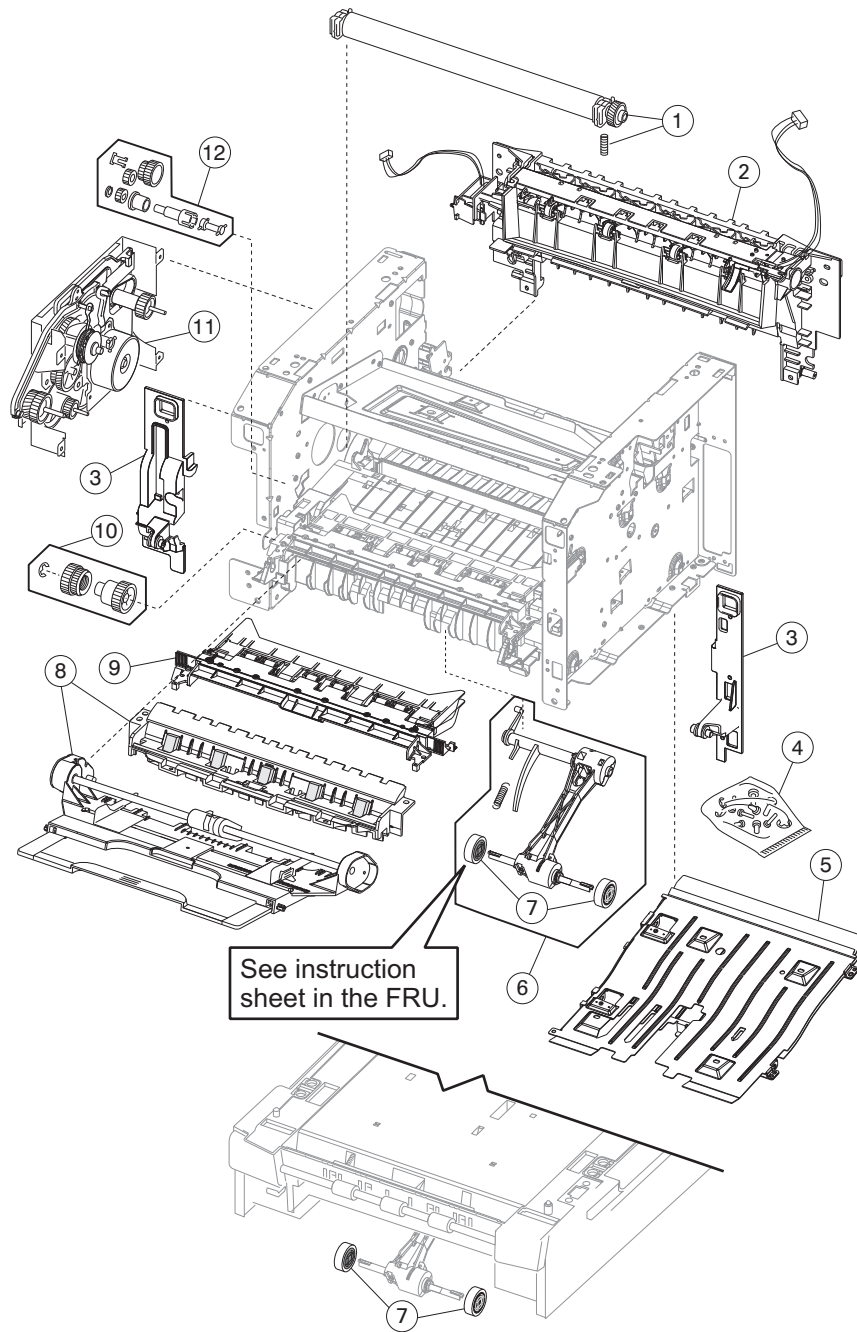
Assembly 4: Electronics 2



Assembly 4: Electronics 2

Asm-Index	Part number	Units/mach	Units/FRU	Description
4-1	40X5829	1	1	Controller board
2	40X5816	1	1	LSU hsync extension cable
3	40X5832	1	2	Stairway cable
4	40X5833	1	1	Controller board cable
5	40X5344	1	1	Fuser assembly, 115 V
5	40X5345	1	1	Fuser assembly, 230 V
5	40X5346	1	1	Fuser assembly, 100 V
6	40X5365	1	1	Duplex and media sensor assembly
7	40X5360	1	1	Access door open sensor assembly
8	40X5392	1	1	Cooling fan (screws included)
9	40X5830	1	1	Engine board,
10	40X5385	1	1	Toner low sensor
11	40X5842	1	1	LVPS/HVPS card assembly, 110 V
11	40X5841	1	1	LVPS/HVPS card assembly, 220 V
12	40X5366	1	1	Manual input sensor assembly
13	40X5369	1	1	Manual feed solenoid
14	40X5371	1	1	MPF feed clutch
15	40X5370	1	1	Media feed (ACM) clutch
16	40X5387	1	1	LSU, (printhead)
17	40X5805	1	1	Controller board fan
NS	40X5817	1	1	LSU laser diode cable

Assembly 5: Frame



Assembly 5: Frame

Asm-Index	Part number	Units/mach	Units/FRU	Description
5-1	40X5364	1		Transfer roll, bearings, gear, spring (CBM)
2	40X5372	1		Media exit guide assembly (redrive)
3	40X5397	1	1	Front mounts
4	40X5396	N/A		Screws, miscellaneous
			4	TP2NCX3X6PF-Ni
			4	TP2C-4.0+8PF-Ni
			4	M3.0*0.5+6PF-Ni
			2	M3.0*0.5+4PF-Ni
			2	M3.5*0.6+6P-Ni
5	40X5380	1	1	Complete duplex assembly
6	40X5453	1	1	Media (ACM) drive assembly
7	40X5451	2	2	Paper feed, ACM tires
7	40X5440	1	2	Tray 2 paper feed tires
8	40X5358	1	1	MPF tray assembly
9	40X5383	1	1	Upper front frame assembly
10	40X5368	1	1	Manual feed clutch CBM
11	40X5367	1	1	Main drive gearbox (in motor)
12	40X5363	1	1	Duplex gear drive CBM
NS	40X5400	1	1	110 V maintenance kit
NS	40X5401	1	1	220 V maintenance kit
NS	40X5402	1	1	100 V maintenance kit
				Note: Kit contains the following: Fuser (40X5344, 40X5345, or 40X2802) Exit guide (40X5372) Tray 1 ACM feed tires (40X5451) Transfer roll CBM (40X5364)

Assembly 6: Options

Asm-Index	Part number	Units/mach	Units/FRU	Description
NS	40X5972	1	1	Japanese font card assembly
NS	40X5970	1	1	Simplified Chinese font card assembly
NS	40X5971	1	1	Traditional Chinese font card assembly
NS	40X5969	1	1	Korean font card assembly
NS	40X5952	1	1	Print crypton card assembly
NS	40X5951	1	1	Korean KS/KSSM/KSP
NS	40X5940	1	1	Bar code and forms
NS	40X5937	1	1	128MB DIMM
NS	40X5938	1	1	256MB DIMM
NS	40X5939	1	1	512MB DIMM
NS	40X5704	1	1	256MB flash
NS	40X1367	1	1	Parallel cable, packaged (3 m)
NS	40X1368	1	1	USB cable, packaged (2 m)
NS	40X4822	1	1	80 GB Hard Disk Drive
NS	40X5057	1	1	80 GB Hard Disk Drive TAA
NS	40X5038	1	1	Wireless ISP Adapter (US)
NS	40X5039	1	1	Wireless ISP Adapter (EMEA)
NS	40X5318	1	2	Thumbscrews
NS	40X4821	1	1	N.8110 V.34 Fax
NS	40X5606	1	1	14 Pin JST for Fax Cable
NS	56P0558	1	1	RJ11 Cable w/Toroids
NS	40X4819	1	1	RS 232 Serial adapter
NS	40X4826	1	1	N8120 Gigabit INA
NS	40X5315	1	2	ISP screw
NS	40X5316			14 Pin JST for ISP Cable
NS	40X5317	1	1	Standoff Tee w/thumb screw
NS	40X4823	1	1	Parallel 1284-B thick adapter
NS	40X4827	1	1	N8130 10/100 Fiber adapter
NS	7377732	1	1	Relocation Kit

Assembly 7: Power cords

Asm-Index	Part number	Units/mach	Units/FRU	Description
NS	40X0297	1	1	Power cord, 1.8M (straight)—USA, Canada
NS	40X0278	1	1	Power cord, 6 foot (straight)—Europe and others
NS	40X0288	1	1	Power cord, 8 foot (straight)—Argentina
NS	40X0286	1	1	Power cord, 8 foot (straight)—United Kingdom
NS	40X0275	1	1	Power cord, 6 foot (straight)—Israel
NS	40X0274	1	1	Power cord, 6 foot (straight)—Switzerland
NS	40X0276	1	1	Power cord, 6 foot (straight)—South Africa
NS	40X0287	1	1	Power cord, 6 foot (straight)—Traditional Italy
NS	40X0279	1	1	Power cord, 6 foot (straight)—Denmark
NS	40X0277	1	1	Power cord, 6 foot (straight)—Brazil
NS	40X0282	1	1	Power cord, 1.8M (straight)—PRC
NS	40X0270	1	1	Power cord, 2.5M (straight)—Japan
NS	40X0280	1	1	Power cord, 1.8M (straight)—Korea
NS	40X0281	1	1	Power cord, 1.8M (straight)—Taiwan
NS	40X0296	1	1	Power cord, 1.8M (straight)—Australia

Index

Numerics

840.xx service check **2-55**

A

abbreviations **1-14**

acronyms **1-14**

ADF cover open service check **2-59**

ADF duplex service check **2-62**

ADF feed errors service check **2-60**

ADF paper jam service check **2-60**

ADF separator pad

removal **4-98**

ADF separator roll

removal **4-99**

ADF streak service check **2-59**

ASIC Test **3-34**

B

Button Test **3-21**

buttons

accessing service menus **3-1**

Button Test **3-21**

C

CCD service check **2-57**

compatibility **1-3**

Configuration ID **3-30**

Configuration Menu

Reset Maintenance Counter **3-3**

configuration menu

accessing **3-1**

available menus **3-2**

Factory Defaults **3-6**

Panel Menus **3-4**

PPDS Emulation **3-5**

D

defaults

EP defaults **3-31**

factory defaults **3-6**

US/Non-US defaults **3-29**

diagnostics menu

DEVICE TESTS

Disk Test/Clean **3-28**

Quick Disk Test **3-28**

DUPLEX TESTS

Duplex Feed 1 **3-26**

Duplex Feed 2 **3-26**

Motor Test **3-25**

Quick Test **3-24**

Sensor Test **3-25**

Top Margin **3-25**

EP SETUP

Charge Roll **3-32**

EP Defaults **3-31**

Fuser Page Count **3-31**

Fuser Temp **3-31**

Gap Adjust **3-32**

Print Contrast **3-32**

Transfer **3-32**

Warm Up Time **3-31**

EVENT LOG

Clear Log **3-33**

Display Log **3-32**

Print Log **3-33**

HARDWARE TESTS

Button Test **3-21**

DRAM Test **3-22**

Panel Test **3-21**

INPUT TRAY TESTS

Feed Test **3-26**

Sensor Test **3-26**

OUTPUT BIN TESTS

Feed Test **3-27**

Sensor Tests **3-27**

PRINTER SETUP

Configuration ID **3-30**

Defaults **3-29**

Edge to Edge **3-30**

engine settings **3-29**

Model Name **3-29**

Page Count **3-29**

Perm Page Count **3-29**

Serial Number **3-29**

SCANNER TESTS

ASIC Test **3-34**

Feed Test **3-34**

Sensor Tests **3-34**

diagnostics mode **3-17**

accessing **3-1**

available tests **3-17**

diagnostics mode—

Registration **3-18**

digital imaging specifications **1-9**

DRAM Test **3-22**

duplex tests

Duplex Feed 1 **3-26**

Duplex Feed 2 **3-26**

Motor Test **3-25**

Quick Test **3-24**

Sensor Test **3-25**

Top Margin **3-25**

E

Edge to Edge **3-30**

Engine Setting **3-29**

error messages

service error codes **2-26**

user attendance messages **2-13**

ESD-sensitive parts **4-1**

event log
 clear log (diagnostics menu) **3-33**
 display log (diagnostics mode) **3-32**
 print log (diagnostics menu) **3-33**

F

fan
 parts catalog **7-9**
 service check **2-37**
 fax reception service check **2-66**
 fax specifications **1-12**
 miscellaneous **1-12**
 phone network connectivity **1-12**
 scan resolutions **1-12**
 fax transmission service check **2-64**
 Feed Test (scanner) **3-34**
 flatbed home position service check **2-58**
 flatbed motor service check **2-57**
 frame, parts catalog **7-10**
 fuser
 parts catalog **7-9**
 service check **2-39**

G

gap adjustment **3-32**

H

handling ESD-sensitive parts **4-1**

I

input sensor tray tests **3-26**
 input tray feed test **3-26**

L

lithium battery **v-xvii, 4-8, 4-15**
 locations
 front views **5-1**
 rear views **5-2**
 lubrication specifications **6-1**
 LVPS/HVPS
 parts catalog **7-9**
 service check **2-39**

M

maintenance approach **1-1**
 maintenance kits **6-1**
 manually register a duplex ADF **3-8**
 manually register the flatbed **3-8**
 media
 guidelines **1-6**
 recycled **1-7**
 unacceptable media **1-6**
 menus
 accessing service menus **3-1**
 messages
 service error codes **2-26**
 user attendance messages **2-13**
 Model Name **3-29**
 models
 diagrams **5-1, 5-2**
 trays available **1-4**

modem - fax card service check **2-63**

O

operator panel
 Button Test **3-21**
 LCD— **2-5**
 LED—
 service check **2-43**
 Panel Test **3-21**
 output bin sensor tests **3-27**

P

page count
 Fuser Page Count **3-31**
 Page Count **3-29**
 permanent page count **3-29**
 Panel Test **3-21**
 paper
 guidelines **1-6**
 recycled **1-7**
 unacceptable paper **1-6**
 parts catalog
 covers **7-2**
 electronics **7-8**
 frame **7-10**
 options **7-12**
 power-on self test (POST) **2-1**
 symptoms **2-2**
 print media
 trays by model **1-4**
 types and sizes **1-5**
 print quality pages
 using **2-47**
 print quality problems
 service check **2-47**
 solving **2-51**
 printer symptom table **2-3**
 printhead
 service check **2-54**

Q

Quick Disk Test **3-28**
 Quick Test **3-24**

R

registration **3-18**
 removals
 ADF separator pad **4-98**
 ADF separator roll **4-99**
 covers
 front access cover **4-8**
 procedures **4-2**

S

safety information **v-xvii**
 safety inspection guide **6-1**
 scan and copy specifications **1-11**
 scan fax and copy symptoms **2-4**
 SE Menu **3-41**
 serial number **3-29**

- service checks **2-35**
 - ADF paperfeed **2-60**
 - ADF streak **2-59**
 - black page **2-57**
 - cooling fan **2-37**
 - cover interlock switch **2-37**
 - dead machine **2-38**
 - flatbed **2-58**
 - flatbed motor **2-57**
 - fuser **2-39**
 - LVPS/HVPS **2-39**
 - main motor **2-40**
 - modem / fax card **2-63**
 - networking **2-41**
 - operator panel **2-43**
 - paper feed **2-43**
 - paper jam during POST **2-43**
 - paper never picks **2-44**
 - paper picks but stops **2-44**
 - paper picks sheets **2-44**
 - paper trees, curls **2-45**
 - print quality **2-47**
 - black page **2-48**
 - blank page **2-47**
 - heavy background **2-48**
 - image density **2-49**
 - light print **2-50**
 - partial blank image **2-49**
 - poor fusing of image **2-49**
 - toner on back of page **2-50**
 - white or black lines **2-50**
 - printhead **2-54**
 - scanner, fax, copy
 - 840xx error check **2-55**
 - ADF cover open **2-59**
 - ADF duplex service check **2-62**
 - ADF feed errors **2-60**
 - ADF paper am **2-60**
 - black page or blank page **2-57**
 - CCD service check **2-57**
 - escalating a fax issue to second-level support **2-68**
 - fax reception service check **2-66**
 - fax transmission service check **2-64**
 - flatbed home position **2-58**
 - flatbed motor **2-57**
 - modem service check **2-63**
 - transfer roll **2-54**
- service error codes **2-26**
- special tools **1-13**
- specifications
 - connectivity **1-3**
 - digital imaging **1-9**
 - fax **1-12**
 - input trays **1-4**
 - memory **1-2**
 - operating systems **1-3**
 - photoconductor capacity **1-4**
 - print media **1-5**
 - scan and copy **1-11**
 - toner capacity **1-4**
 - start **2-1**
 - symptom tables **2-2**
 - POST **2-2**
 - printer **2-3**
 - symptoms
 - scan fax and copy **2-4**
- T**
 - tools **1-13**
 - Top Margin **3-18**
 - duplex **3-25**
 - transfer roll
 - parts catalog **7-11**
 - service check **2-54**
- U**
 - user attendance messages **2-13**
- W**
 - warm up time **3-31**

Part number index

P/N	Description	Page
40X0270	Power cord, 1.77M (straight)—Japan	7-13
40X0274	Power cord, 6 foot—Switzerland	7-13
40X0275	Power cord, 6 foot (straight)—Israel	7-13
40X0276	Power cord, 6 foot—South Africa	7-13
40X0277	Power cord, 6 foot (straight)—Brazil	7-13
40X0278	Power cord, 6 foot (straight)—Europe and others	7-13
40X0279	Power cord, 6 foot (straight)—Denmark	7-13
40X0280	Power cord, 1.77M (straight)—Korea	7-13
40X0281	Power cord, 1.77M (straight)—Taiwan	7-13
40X0282	Power cord, 1.77M (straight)—PRC	7-13
40X0286	Power cord, 6 foot—United Kingdom	7-13
40X0287	Power cord, 6 foot (straight)—Traditional Italy	7-13
40X0288	Power cord, 6 foot—Argentina	7-13
40X0296	Power cord, 1.8M (straight)—Australia	7-13
40X0297	Power cord, 1.77M (straight)—USA, Canada	7-13
40X0399	Op panel display bezel X463	7-5
40X0400	Op panel display bezel X464	7-5
40X0401	Op panel display bezel X466	7-5
40X1367	Parallel cable, packaged (3 m) (E460dn only)	7-12
40X1368	USB cable, packaged (2 m)	7-12
40X2855	Tray 2 wear strips (550-sheet tray only)	7-7
40X4819	RS 232 Serial adapter	7-12
40X4821	N.8110 V.34 Fax	7-12
40X4822	80 GB Hard Disk Drive	7-12
40X4823	Parallel 1284-B thick adapter	7-12
40X4826	N8120 Gigabit INA	7-12
40X4827	N8130 10/100 Fiber adapter	7-12
40X5038	Wireless ISP Adapter (US)	7-12
40X5039	Wireless ISP Adapter (EMEA)	7-12
40X5057	80 GB Hard Disk Drive TAA	7-12
40X5315	ISP screw	7-12
40X5316	14 Pin JST for ISP Cable	7-12
40X5317	Standoff Tee w/thumb screw	7-12
40X5318	Thumb screws	7-12
40X5344	Fuser assembly, 115 V	7-9
40X5345	Fuser assembly, 230 V	7-9
40X5346	Fuser assembly, 100 V	7-9
40X5358	MPF tray assembly	7-11
40X5359	Nameplate cover	7-3
40X5360	Access door open sensor assembly	7-9
40X5363	Duplex gear drive CBM	7-11
40X5364	Transfer roll, bearings, gear, spring (CBM)	7-11
40X5365	Duplex and media sensor assembly	7-9
40X5366	Manual input sensor assembly	7-9
40X5367	Main drive gearbox (in motor)	7-11
40X5368	Manual feed clutch CBM	7-11
40X5369	Manual feed solenoid	7-9
40X5370	Media feed (ACM) clutch	7-9
40X5371	MPF feed clutch	7-9
40X5372	Exit guide	6-2
40X5372	Media exit guide assembly (redrive)	7-11
40X5379	Front door cover	7-3
40X5380	Complete duplex assembly	7-11
40X5381	Primary tray	7-3, 7-7

40X5382	Wear strips (250-sheet trays, optional and primary)	7-7
40X5383	Upper front frame assembly	7-11
40X5385	Toner low sensor	7-9
40X5387	LSU, E460dn/E460dw (printhead)	7-9
40X5392	Cooling fan (screws included)	7-9
40X5394	Tray 2 assembly	7-7
40X5395	550-sheet (Tray 2) assembly	7-7
40X5396	Screws, miscellaneous	7-11
40X5397	Front mounts	7-11
40X5398	Optional 250-sheet tray	7-7
40X5399	Optional 550-sheet tray	7-7
40X5400	110 V maintenance kit	7-11
40X5400	Low voltage (110 V) maintenance kit	6-1
40X5401	220 V maintenance kit	7-11
40X5401	High voltage (220 V) maintenance kit	6-1
40X5402	100 V maintenance kit	6-2, 7-11
40X5440	Tray 2 paper feed tires	7-11
40X5451	Paper feed, ACM tires	7-11
40X5453	Media (ACM) drive assembly	7-11
40X5470	ADF input tray	7-5
40X5472	ADF Separator pad	7-5
40X5472	ADF separator pad	6-2
40X5540	ADF cable	7-5
40X5606	14 Pin JST for Fax Cable	7-12
40X5704	256MB flash	7-12
40X5804	Flatbed cushion	7-5
40X5805	Controller board fan	7-9
40X5807	ADF maintenance kit	6-2, 7-5
40X5810	UICC Cable (Operator panel cable)	7-5
40X5813	Kickstand support	7-5
40X5816	LSU hsync extension cable	7-9
40X5817	LSU laser diode cable	7-9
40X5818	Right scanner cover	7-5
40X5819	Left scanner cover	7-5
40X5824	Duplex ADF unit	7-5
40X5825	Flatbed module	7-5
40X5826	Scanner front cover	7-5
40X5829	Controller board	7-9
40X5830	Engine board	7-9
40X5831	Operator panel USB cable	7-5
40X5832	Stairway cable	7-9
40X5833	Controller board cable	7-9
40X5836	Operator panel button assembly	7-5
40X5837	Op panel display	7-5
40X5841	LVPS/HVPS card assembly, 220 V	7-9
40X5842	LVPS/HVPS card assembly, 110 V	7-9
40X5937	128MB DIMM	7-12
40X5938	256MB DIMM	7-12
40X5939	512MB DIMM	7-12
40X5940	Bar code and forms	7-12
40X5951	Korean KS/KSSM/KSP	7-12
40X5952	Print crypton card assembly	7-12
40X5969	Korean font card assembly	7-12
40X5970	Simplified Chinese font card assembly	7-12
40X5971	Traditional Chinese font card assembly	7-12
40X5972	Japanese font card assembly	7-12
40X7545	ADF Separator roll	6-2, 7-5
40X7546	ADF hinge, right	7-5
40X7547	ADF hinge, left	7-5

56P0558	RJ11 Cable w/Toroids	-----	7-12
7377732	Relocation Kit	-----	7-12

